

C ALUMINIUM

QUICK EASY RELIABLE

Fire behaviour

All components with self-extinguishing features, without flame propagation. Pipes, fittings and flexible hoses meeting **EN13501-1:2007+A1:2009**, **ENISO11925-2:2010**, **ENISO13823:2010** specifications.

High system flexibility

Our products were designed to create complete distribution systems for compressed air and pressurized fluids. They enable easy future system expansions and can also be connected to already existing systems owing to their high versatility.

Compliance with specs **CE**

All products meeting 97/23/EC directive on pressure equipment, which has the force of law and is valid from May 29, 2009.

10-year-warranty

In line with high quality level of performances of Aircom's products, Aircom offers on its products a 10-year warranty against any defective material in Aircom's fittings and aluminium pipes. For more information, please refer to Aircom's Liability Terms.





Short installation time

The quick and easy assembly of our piping systems is the result of an innovative technology, with an instant connection of the fitting components to the aluminium pipe.

Light weight, but powerful

Quick Line Aluminium product range comes in following diameters:

20-25-32-40-50-63-80-110mm

A careful study and design of dimensions and materials enabled to achieve a lightweight but powerful, all-aluminium product in a wide range of sizes, and with the Ø 110 mm size you will have a powerful flow rate potential allowing you to create compressor rooms without any problems.

Air quality and maintenance

Owing to full aluminium construction, air quality keeps constant features from compressor outlet up to all end user points. Minimum roughness of internal pipe surfaces allows optimal air flow. The high quality and high resistance features of our fittings will significantly reduce maintenance costs.

Aluminium pipe
AIRCOM



Galvanized
iron pipe

Modularity and resistance

Our modular and lightweight aluminium systems are an optimal solution to reduce installation time.

Owing to careful study of components and of materials, our fittings feature noticeable resistance to corrosion, mechanical shocks and thermal variations.

Quick Line Aluminium is the most advanced evolution in the field of systems for compressed air and pressurized fluids distribution.





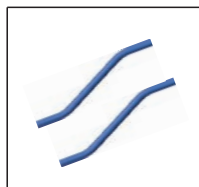
Pipe

CODE	Ø (6m)
QLTUAL6020	20
QLTUAL6025	25
QLTUAL6032	32
QLTUAL6040	40
QLTUAL6050	50
QLTUAL6063	63
QLTUAL6080	80
QLTUAL6110	110

CODE	Ø (4m)
QLTUAL4020	20
QLTUAL4025	25
QLTUAL4032	32
QLTUAL4040	40
QLTUAL4050	50
QLTUAL4063	63

CODE	Ø (6m)
QLTUALGY6020	20
QLTUALGY6025	25
QLTUALGY6032	32
QLTUALGY6040	40
QLTUALGY6050	50
QLTUALGY6063	63
QLTUALGY6080	80

CODE	Ø (6m)
QLTUALG6020	20
QLTUALG6025	25
QLTUALG6040	40
QLTUALG6063	63



Double bend

CODE	Ø (0.5m)
QLSCIO16	16
QLSCIO20	20
QLSCIO25	25



Couplings

CODE	Ø
QLMAALO20	20
QLMAALO25	25
QLMAALO32	32
QLMAALO40	40
QLMAALO50	50
QLMAALO63	63
QLMAALO80	80
QLMAAL110	110

Sliding couplings



CODE	Ø
QLMASALO32	32
QLMASALO40	40
QLMASALO50	50
QLMASALO63	63
QLMASALO80	80

90° elbows



CODE	Ø
QLG090AL020	20
QLG090AL025	25
QLG090AL032	32
QLG090AL040	40
QLG090AL050	50
QLG090AL063	63
QLG090AL080	80
QLG090AL110	110

45° elbows



CODE	Ø
QLG045AL020	20
QLG045AL025	25
QLG045AL032	32
QLG045AL040	40

90° elbows, male thread



CODE	Ø
QLG090MAL020048	20x1/2"
QLG090MAL025048	25x1/2"
QLG090MAL025068	25x3/4"

End cap



CODE	Ø
QLCAALO20	20
QLCAALO25	25
QLCAALO32	32
QLCAALO40	40
QLCAALO50	50
QLCAALO63	63
QLCAALO80	80

Tee



CODE	Ø
QLTEALO20	20
QLTEALO25	25
QLTEALO32	32
QLTEALO40	40
QLTEALO50	50
QLTEALO63	63
QLTEALO80	80
QLTEAL110	110

Threaded tee, female thread



CODE	Ø
QLTPAL020048	20x1/2"
QLTPAL025068	25x3/4"
QLTPAL032088	32x1"
QLTPAL040108	40x1.1/4"
QLTPAL050128	50x1.1/2"
QLTPAL063168	63x2"
QLTPAL080208	80x2.1/2"
QLTPAL110248	110x3"

* Also available with NPT threads

Flanged coupling



CODE	Ø
QLMFLAL063168DIN	63x2"
QLMFLAL080248DIN	80x3"
QLMFLAL110328DIN	110x4"

* Also available ANSI

Nipple socket, male threaded



CODE	Ø
QLMNMAL020048	20x1/2"
QLMNMAL020068	20x3/4"
QLMNMAL025068	25x3/4"
QLMNMAL025088	25x1"
QLMNMAL032108	32x1.1/4"
QLMNMAL040128	40x1.1/2"
QLMNMAL050168	50x2"
QLMNMAL063168	63x2"
QLMNMAL063208	63x2.1/2"
QLMNMAL080208	80x2.1/2"
QLMNMAL080248	80x3"

* Also available with NPT threads

Nipple socket, female threaded



CODE	Ø
QLMPMAL020048	20x1/2"
QLMPMAL020068	20x3/4"
QLMPMAL025068	25x3/4"
QLMPMAL025088	25x1"
QLMPMAL032108	32x1.1/4"
QLMPMAL040128	40x1.1/2"
QLMPMAL050168	50x2"
QLMPMAL063168	63x2"
QLMPMAL063208	63x2.1/2"

* Also available with NPT threads

Single port manifold



CODE	Ø
DIRAPMAL048048	1/2"x1/2"

- * Also available with NPT threads
- * With drain 1/4" (blind)

3-port manifold



CODE	Ø
DIRAPFRLAL048048	1/2"x1/2"(x3)

- * Also available with NPT threads
- * With drain 1/4" (blind)

4-port manifold



CODE	Ø
DIRAPLAL048048	1/2"x1/2"(x4)
DIRAPLAL068068	3/4"x1/2"(x2) - 3/4"(x2)

- * Also available with NPT threads
- * With drain 1/4" (blind)

5-port manifold



CODE	Ø
DIRPMUAL120	3/4"x1/2"(x3) - 3/4"(x2)

- * Also available with NPT threads
- * With drain 1/4" (blind)

7-port manifold



CODE	Ø
DIRPMUAL200	3/4"x1/2"(x5) - 3/4"(x2)

- * Also available with NPT threads
- * With drain 1/4" (blind)

Single action, pneumatic valve



CODE	Ø
QLVAVIP032AL	32
QLVAVIP040AL	40
QLVAVIP050AL	50
QLVAVIP063AL	63

Quick Line SS ball valve



CODE	Ø
QLVAINOX025	25
QLVAINOX032	32
QLVAINOX040	40
QLVAINOX050	50
QLVAINOX063	63
QLVAINOX080	80

Quick Line SS ball valve, female thread



CODE	Ø
QLVAINOXF025088	25x1"
QLVAINOXF032128	32x1.1/2"
QLVAINOXF040128	40x1.1/2"
QLVAINOXF050168	50x2"
QLVAINOXF063168	63x2"
QLVAINOXF080248	80x3"

Quick Line SS ball valve Ø 110 mm



CODE	Ø
QLVAINOX110DIN	110

* Also available ANSI

Quick Line SS ball valve Ø 110 mm, female thread



CODE	Ø
QLVAINOXF110DIN	110

* Also available ANSI

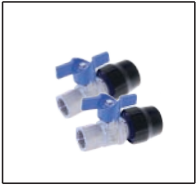
Quick Line ball valve, male threaded



CODE	Ø
QLVAM020048AL	20x1/2"
QLVAM025068AL	25x3/4"

* Also available with NPT threads

Quick Line ball valve, female threaded



CODE	Ø
QLVAF020048AL	20x1/2"
QLVAF025068AL	25x3/4"

* Also available with NPT threads

45° Elbow, female threaded



CODE	Ø
QLGO45FAL020048	20x1/2"
QLGO45FAL025068	25x3/4"

* Also available with NPT threads

3-port manifold with QL ball valve



CODE	Ø
QLAPLFRALVA020	20
QLAPLFRALVA025	25

* Also available with NPT threads

4-port manifold with QL ball valve



CODE	Ø
QLAPLALVA020	20
QLAPLALVA025	25

* Also available with NPT threads

Flanged tip



CODE	Ø
QLTFLAL080248DIN	80x3"
QLTFLAL110328DIN	110x4"

* Also available ANSI

Reduction pipe, male/male connection



CODE	Ø
QLRIDTU11063	63
QLRIDTU11080	80

Expansion joint



CODE	Ø
DIRDIL063DIN	63
DIRDIL080DIN	80
DIRDIL110DIN	110

* Also available ANSI

Pipe brackets, with M8 insert piece



CODE	Ø
DIRFEM8016CF	16
DIRFEM8020CF	20
DIRFEM8025CF	25
DIRFEM8032CF	32
DIRFEM8040CF	40
DIRFEM8050CF	50
DIRFEM8063CF	63
DIRFEM8080CF	80
DIRFEM8110CF	110

Pipe brackets, with metal collar



CODE	Ø
DIRFCOL063	63
DIRFCOL080	80
DIRFCOL110	110

Aluminium spigot



CODE	Ø
QLPUNM016038	16 x 3/8"
QLPUNM020048	20 x 1/2"
QLPUNM020068	20 x 3/4"
QLPUNM025088	25 x 1"
QLPUNM032108	32 x 1.1/4"
QLPUNM040128	40 x 1.1/2"
QLPUNM050168	50 x 2"
QLPUNM063168	63 x 2"
QLPUNM080248	80 x 3"

* Also available with NPT threads

Quick branch plug



CODE	Ø
QLDERALO25020	25x20
QLDERALO32020	32x20
QLDERALO40020	40x20
QLDERALO40025	40x25
QLDERALO50020	50x20
QLDERALO50025	50x25
QLDERALO63020	63x20
QLDERALO63025	63x25
QLDERALO63032	63x32
QLDERALO80020	80x20
QLDERALO80025	80x25
QLDERALO80032	80x32
QLDERAL110025	110x25
QLDERAL110032	110x32

Quick branch plug, female threaded outlet



CODE	Ø
DIRDERFF025048	25x1/2"
DIRDERFF032048	32x1/2"
DIRDERFF040048	40x1/2"
DIRDERFF040068	40x3/4"
DIRDERFF050048	50x1/2"
DIRDERFF050068	50x3/4"
DIRDERFF063048	63x1/2"
DIRDERFF063068	63x3/4"
DIRDERFF063088	63x1"
DIRDERFF080048	80x1/2"
DIRDERFF080068	80x3/4"
DIRDERFF080088	80x1"
DIRDERFF110068	110x3/4"
DIRDERFF110088	110x1"

* Also available with NPT threads



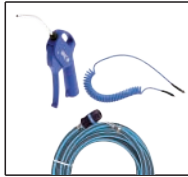
QL nut wrench

CODE	Ø
QLCLEALO20025	20-25
QLCLEALO32040	32-40
QLCLEALO50	50
QLCLEALO63	63
QLCLEALO80	80



Pipe-fitting insertion meter

CODE	Ø
GLMISALO20110	20-110



Blowguns, recoil hoses

CODE	Ø
DIRPISO28	1/4"

CODE	Ø
DIRSPIR66	6,5x10

CODE	Ø
DIRPROLO8	8,5x15

* 6m - **10m



Deburrer

CODE	Ø
DIRSMO16050	16-50
DIRSMO63110	63-110



Flexible hose

CODE	Ø
QLFLEX020	20
QLFLEX025	25
QLFLEX032	32
QLFLEX040	40
QLFLEX050	50
QLFLEX063	63

CODE	Ø
QLFLEXM088	1x1"
QLFLEXM108	1.1/4"x1.1/4"
QLFLEXM128	1.1/2"x1.1/2"
QLFLEXM168	2"x2"



Reductions

CODE	Ø
QLRIDMF108088	1.1/4"x1"
QLRIDMF128108	1.1/2"x1.1/4"
QLRIDMF168128	2"x1.1/2"
QLRIDMF208168	2.1/2"x2"
QLRIDMF248208	3"x2"

* Also available with NPT threads



Spacers

CODE	Ø
DIRSPE020032	20-32
DIRSPE040063	40-63



Flanges

CODE	Ø
DIRFLFF168DIN	63
DIRFLFF248DIN	80
DIRFLFF328DIN	110

* Also available ANSI

Coupling



A comprehensive solution

Quick Line Aluminium system is the ideal solution for distribution systems for compressed air and pressurized fluids.

Multiple manifold



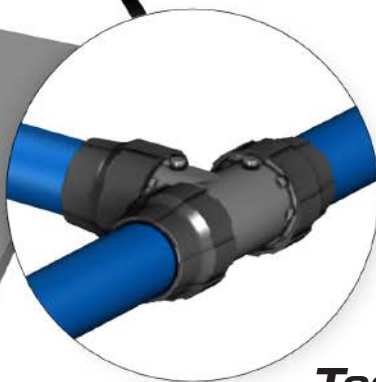
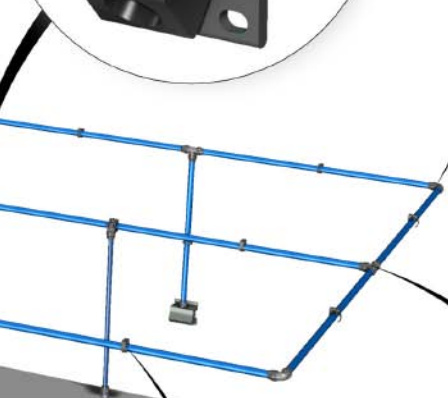
- **Quick & easy**
- **Flexible & highly compatible**
- **No pressure loss**
- **Corrosion resistant**



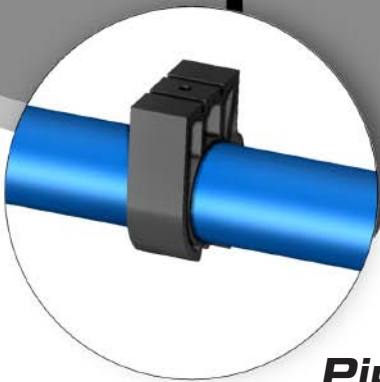
Single port manifold



90° Elbow



Tee



***Pipe brackets,
with M8 insert piece***



QUICK

With Quick Line Aluminium product line you can reduce installation time by about 45% compared to traditional systems.

EASY

Owing to innovative Quick Line technology, easy-mounting pipe assembly and direct connection fittings will enable you to create your piping system in few, easy steps.

RELIABLE

Durability and corrosion resistance of our products provide you a unique, comprehensive system.

Careful study and design of shapes and of materials also grant extremely low pressure drops without air leakages, with resulting remarkable energy savings.

AIRCOM s.r.l
via Trattato di Maastricht
15067 Novi Ligure (AL) - ITALY
Ph. +39 0143 329502 - Fax +39 0143 358175

www.aircomsystem.com
info@aircomsystem.com